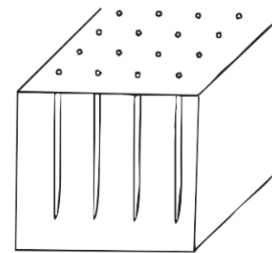


Instructions and conditions of use of CEVAMIT



First, holes are drilled into the solid system (concrete, rock, masonry, etc.) with a length equal to 80% of its height or length or width. The minimum diameter of the holes is 30 mm and the maximum diameter of the hole is 105 mm (if the diameter is 60 mm or more, the hole must be suitably plugged after pouring the mix).

Drill holes in the disconnected material at such an inclination that the CEVAMIT suspension can be poured into them. **The optimum borehole diameter is 40mm.** The boreholes are drilled in rows. The distance between each borehole is 10 times the borehole diameter and depends on the strength of the material to be disconnected. In particularly fragile materials it works up to 40 times the borehole diameter - to be tested individually. When using winter CEVAMIT, it is recommended to use warm water according to the table below.



Destruction of the concrete structure

CEVAMIT is mixed with water in a ratio of approximately 10:3 (i.e. 10 parts Cevamit to 3 parts water) by pouring clean water into a suitable container and gradually adding CEVAMIT with stirring until a homogeneous slurry is formed. After stirring, the mixture must be used within 15 minutes, otherwise solidification occurs. The mixture can also be mixed in concrete mixers. There must be no water in the boreholes. If it is not possible to remove the water from the boreholes, then the mixture must be filled into polyethylene casings or Cutisin casings so that the entire borehole space is filled.

Within about one hour, the CEVAMIT mixture in the borehole hardens and begins to hydrate. During the hydration period, the CEVAMIT expands and exerts a compressive stress on the borehole walls, which depends on the borehole diameter and the water content of the mixture and is around 40 MPa. The hydration time is 72 hours.

- **The material will disconnect in approximately 24 - 72 hours.** It depends on the density of the mixture used and the temperature of the material to be disconnected.
- When hydrating at higher ambient temperatures or larger well diameters, blowout of the mixture from the well may occur. **No tilting over filled wells!**
- The same **protective equipment** as when working with quicklime, i.e. goggles, possibly Plexiglas, respirator, protective clothing, gloves.
- **CEVAMIT** is supplied in 25 kg polyethylene bags (or 5 kg buckets). We can arrange delivery to the point of consumption in any quantity. Empty packaging should be handed in for collection. Disposal of unused CEVAMIT is the same as for quicklime.
- **Storage:**CEVAMIT must be stored in closed, leak-proof containers to prevent it from absorbing moisture in the air.

Dependence of water temperature on the temperature of the system to be disconnected

| Temperature of the material to be disconnected | Recommended temperature of the water used |
|--|---|
| above 25 °C | below 10°C |
| 15 - 25°C | 20 - 25°C |
| 5 - 15°C | 25 - 40°C |
| -7 - 5°C | 40 - 95°C |

Water temperature affects the effect of CEVAMIT particularly significantly at temperatures between -7 and +5 °C. We therefore recommend using water at the highest possible temperature. The temperature of the material to be disconnected at the time of filling the mixture into the boreholes is decisive.

Cevamite is produced as:

- **Cevamite summer - CEVAMIT-L**

for use at temperatures from +10 °C to +40 °C

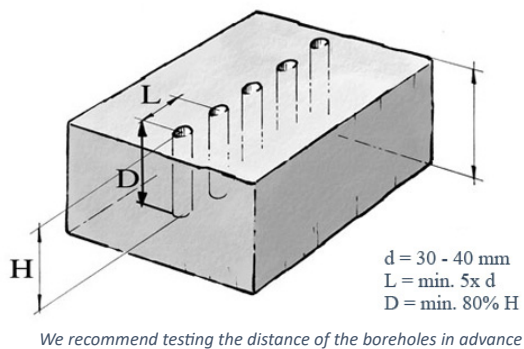
Cevamit winter - CEVAMIT-Z

for use at temperatures from -5°C to +10°C

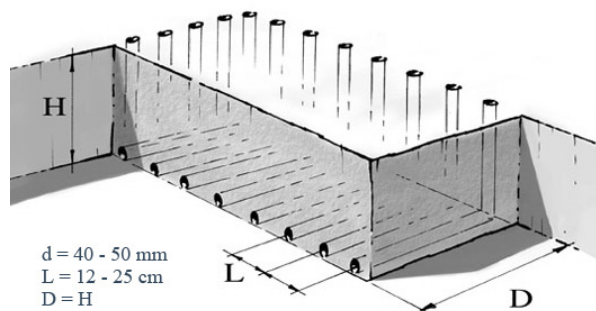
Examples of CEVAMIT use



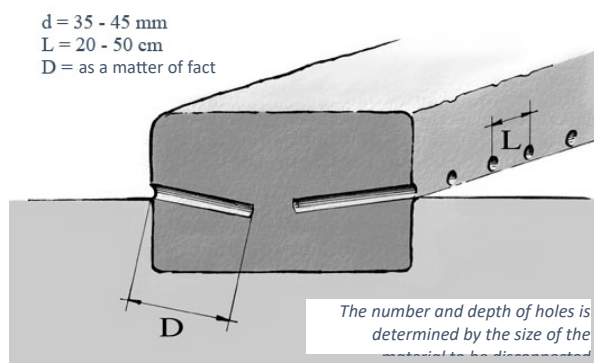
Splitting the block for further processing



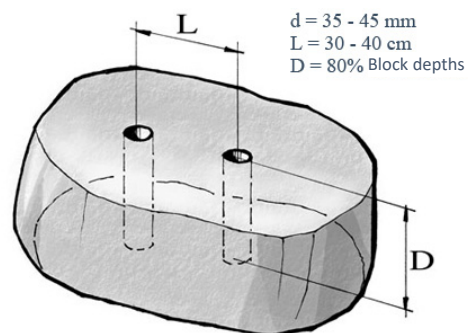
Separation of block from solid



Block overlapping the terrain



Dividing the big block



Producer

Exclusive sale for the Czech Republic



Cevamit.com, Lukáš Urbanec
 Michálkovická 2098/86B
 710 00, Ostrava

Tel: +420 603 357 606
 Mail: info@cevamit.com
 Web: www.cevamit.com

Page | 3



Calmit, spol. s.r.o.
Gaštanová 15
811 04 Bratislava

CEVAMIT.COM, Lukáš Urbanec,
Micháلكovická 2098/86B,
710 00 Ostrava - Slezská Ostrava



Cevamit.com, Lukáš Urbanec
Micháلكovická 2098/86B
710 00, Ostrava

Tel: +420 603 357 606
Mail: info@cevamit.com
Web: www.cevamit.com

Page | 4